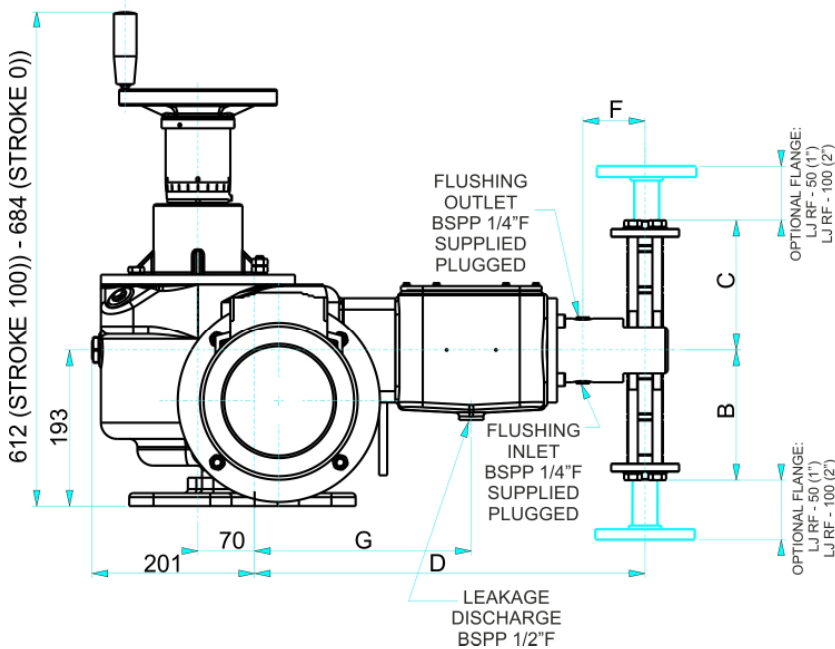
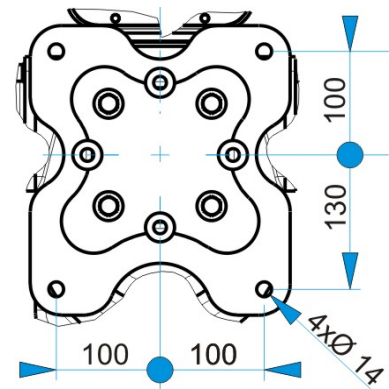


Allowable loads referred to pump nozzles

| | | | |
|----|---------|----|----------|
| Fx | 0.10 kN | Mx | 0.04 kNm |
| Fy | 0.12 kN | My | 0.04 kNm |
| Fz | 0.10 kN | Mz | 0.04 kNm |



FIXING HOLES – VIEW FROM Z



| PUMP MODEL | DIMENSIONS [mm] | | | | | | ESTIMATED WEIGHT kg (without motor) | OPTIONAL FLANGE ANSI 300 MAX. TEMP. 38°C MAX. PRESSURE 40BAR SIZE |
|-------------|-----------------|-----|-----|-----|----|-----|-------------------------------------|---|
| | A (EN10226) | B | C | D | F | G | | |
| 1P50N27YA.. | BSPP 1" F | 152 | 152 | 484 | 73 | 268 | 125 | 1" |
| 1P70N27YA.. | BSPP 1" F | 157 | 157 | 492 | 81 | 268 | 125 | 1" |
| 1P90N27YA.. | BSPP 2" F | 223 | 223 | 520 | 90 | 279 | 172.5 | 2" |
| 1PC0N27YA.. | BSPP 2" F | 223 | 223 | 520 | 88 | 279 | 172.5 | 2" |

| Electric motor size | 4 Poles kw | 6 Poles kw | TEFC 1xM20x1.5 | | EExde 1xM25x1.5 | |
|---------------------|------------|------------|----------------|----|-----------------|----|
| | | | E | kg | E | kg |
| 90 | 1.5 | 0.75 | 260 | 12 | 340 | 33 |
| 100 | 2.2 | 1.5 | 320 | 22 | 370 | 46 |

